

R35 Regulator

QUBE Features

Filters

Coalescing Filters

Regulators

Lubricators

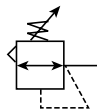
Integral Filter Regulators

Combination Units

Accessories

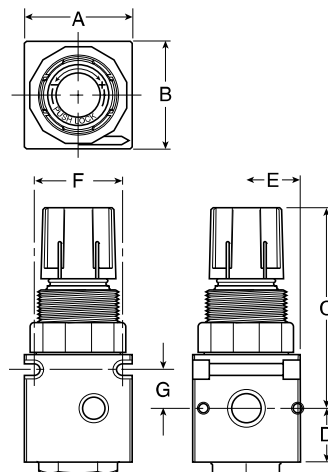
Soft Start Valves

Mounting Brackets



Features

- Compact Size Allows Greater Design Flexibility
- Nearly Double the Flow Capacity of Standard Miniature Regulators; Reduces Costly Pressure Drop
- Connects to Other QUBE Units Using Just Screws and O-rings (Included)
- Integral Mounting Slots Eliminate Need for Mounting Brackets
- Piston Operated for High Flow and Low Pressure Drop
- Panel Mountable
- High Flow: 1/8" - 30 SCFM[§]
 1/4" - 40 SCFM[§]



| Port Size | NPT | |
|--|-----------------|--|
| | Relieving | |
| Without Gauge 0-125 PSIG Reduced Pressure | | |
| 1/8" | R35-01C | |
| 1/4" | R35-02C | |
| With Gauge 0-125 PSIG Reduced Pressure | | |
| 1/8" | R35-01CG | |
| 1/4" | R35-02CG | |

| R35 Regulator Dimensions | | | | | | |
|--------------------------|----------------|----------------|----------------|----------------|----------------|----------------|
| A | B | C | D | E | F | G |
| 1.59 (40.6) | 1.59 (40.6) | 2.98 (75.7) | 1.11 (28.2) | 0.80 (20.3) | 1.31 (33.3) | 0.58 (14.6) |

Inches
(mm)

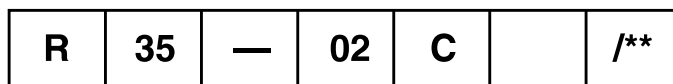
NOTE: 1.25 Dia. (32mm) hole required for panel mounting.

Bold Items are Most Popular.

For other models refer to ordering information below.

[§] SCFM = Standard Cubic Feet Per Minute at 100 PSIG Inlet, 75 PSIG No Flow Secondary Setting, and 20 PSIG Pressure Drop.

Ordering Information



| Port Threads |
|--------------|
| — NPT |
| G BSPP |

| Port Size |
|----------------|
| 01 1/8" |
| 02 1/4" |

| Reduced Pressure Range |
|------------------------|
| A 0-25 PSIG |
| B 0-60 PSIG |
| C 0-125 PSIG |

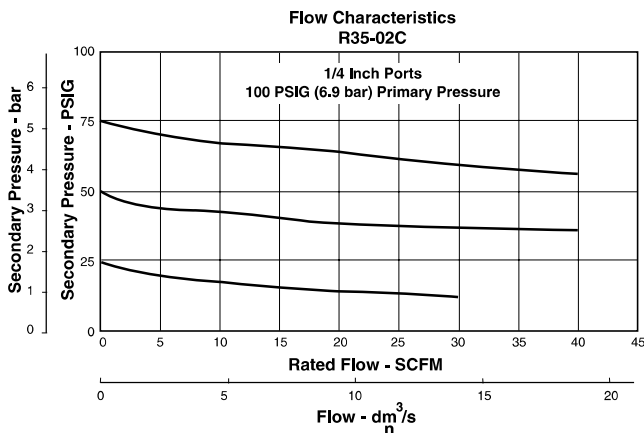
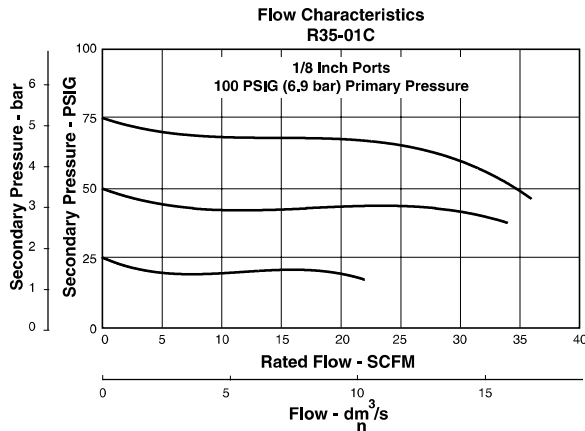
| Options |
|-----------------------------|
| G Gauge |
| K Non-relieving |
| P Panel Mount Nut (Plastic) |
| T Tamperproof Adjustment |

| Engineering Change Designator |
|-------------------------------|
| Will be entered at factory. |

BOLD ITEMS ARE MOST POPULAR.



Technical Information



⚠ WARNING
 Product rupture can cause serious injury.
 Do not connect regulator to bottled gas.
 Do not exceed maximum primary pressure rating.

⚠ CAUTION:
REGULATOR PRESSURE ADJUSTMENT – The working range of knob adjustment is designed to permit outlet pressures within their full range. Pressure adjustment beyond this range is also possible because the knob is not a limiting device. This is a common characteristic of most industrial regulators, and limiting devices may be obtained only by special design. For best performance, regulated pressure should always be set by increasing the pressure up to the desired setting.

R35 Regulator Kits & Accessories

- Cage Kits –**
 A Range..... CKR35A
 B & C Range.....CKR35BC
- Control Knob** R35-0545P
- Gauges –**
 1-1/2" Dial Size, 1/8" Back Connection
 0 to 60 PSIG (0 to 4 bar) K4515N18060
 1-1/2" Dial Size, 1/8" Back Connection
 0 to 160 PSIG (0 to 11 bar) K4515N18160
- Panel Mounting Bracket Kit (Bonnet Threads)** SA161X57
Face Mounting Bracket Kit (See Page 35)SAR35Y57
- Panel Mount Nut –**
 Plastic.....R05X51-P
 Aluminum.....R05X51-A
- Repair Kits –**
 Non-Relieving Piston, Valve Assembly RKR30K
 Relieving Piston, Valve Assembly.....RKR30

Specifications

- Gauge Ports (2)** 1/8 Inch
Port Threads 1/8 & 1/4 Inch
Supply Pressure300 PSIG Max. (20,4 bar)
Temperature Rating40°F to 125°F (4.4°C to 52°C)
Weight0.82 lbs. (.37 kg) / Unit
 19.8 lbs. (8.98 kg) / 24-unit Master Pack

Materials of Construction

- Adjusting Knob** Acetal
BodyZinc
Bottom Plug Glass-Filled Acetal
CagePlastic
Elastomers Buna-N



| |
|----------------------------|
| QUBE Features |
| Filters |
| Coalescing Filters |
| Regulators |
| Lubricators |
| Integral Filter Regulators |
| Combination Units |
| Accessories |
| Soft Start Valves |
| Mounting Brackets |